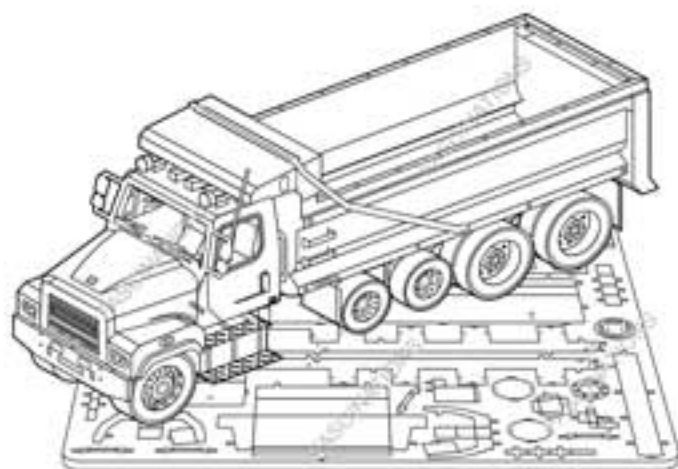


Metal Earth.

3D METAL MODEL KITS

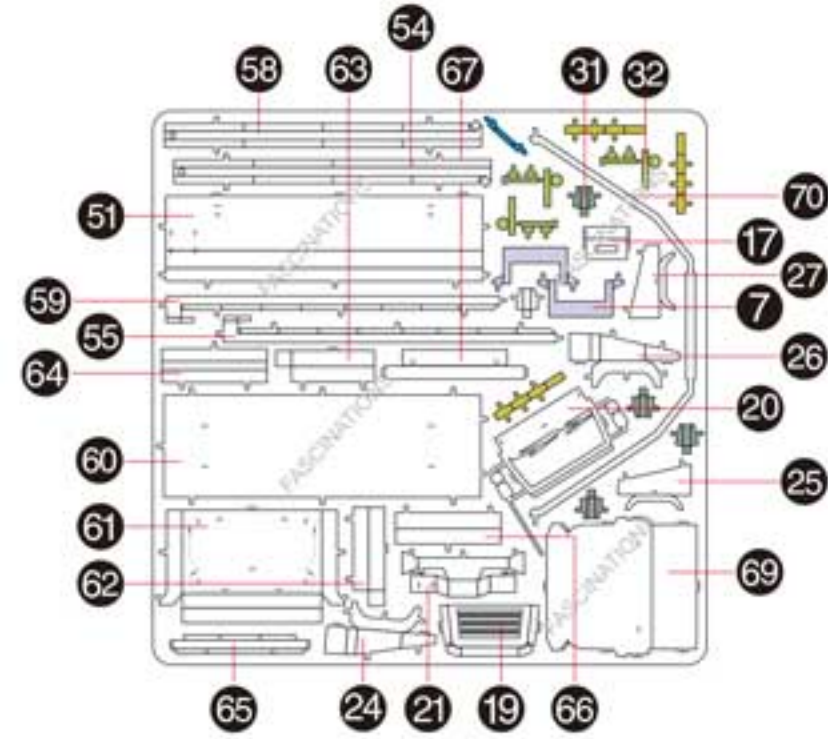
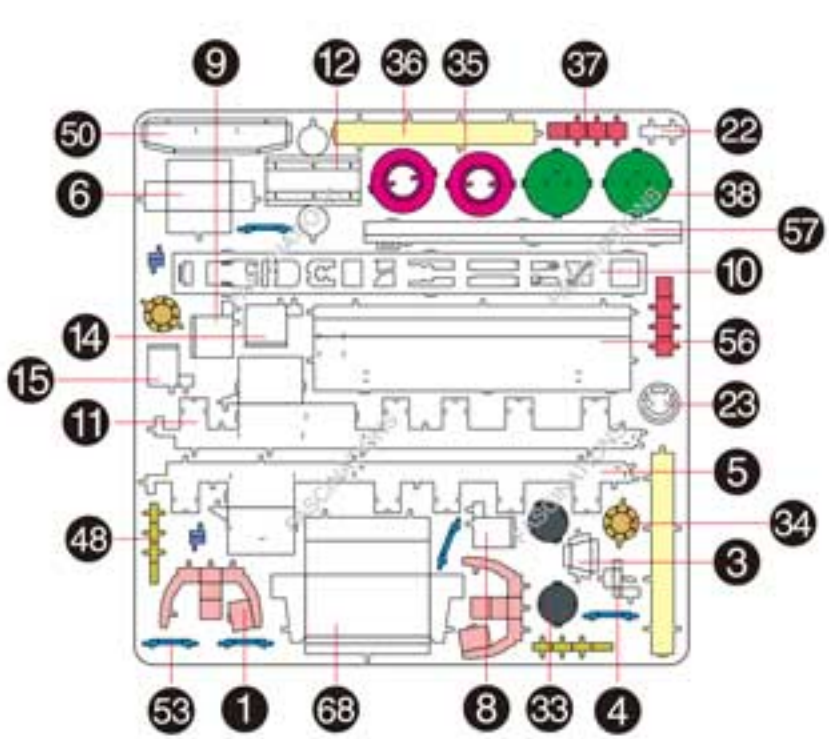


Freightliner 114SD
Item No. MMS146

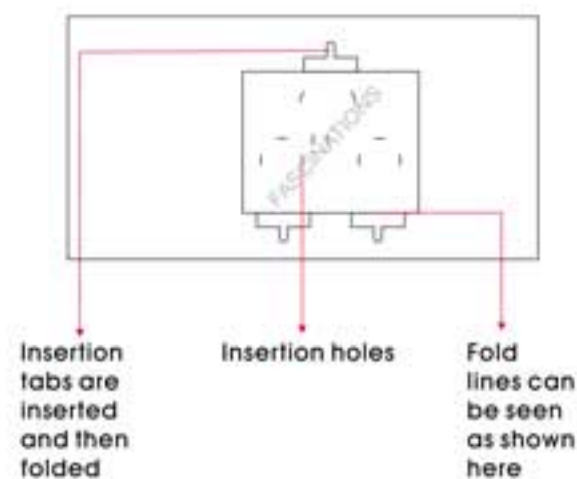


It is highly recommended that you visit www.metalearth.com/360/mms146 to see the completed model before assembling your own

Metal sheets



In order to avoid possible injury from sharp edges, please carefully discard the metal sheet after parts have been removed



- Legends:**
- E** Engraved side
 - NE** Non-engraved side
 - Attention point
 - Insert tab and bend 90 degrees
 - Insert tab and twist 90 degrees

Assembly tip:
If needed, slightly twist tabs to hold parts together then untwist and bend them down for a nice finish

- Recommended tools:**
- Wire cutters: helpful for taking parts from the metal sheets.
 - Tweezers or needle nose pliers: helpful for folding parts, bending and twisting tabs.

Assembly Flow Chart

