

# Burj Al Arab



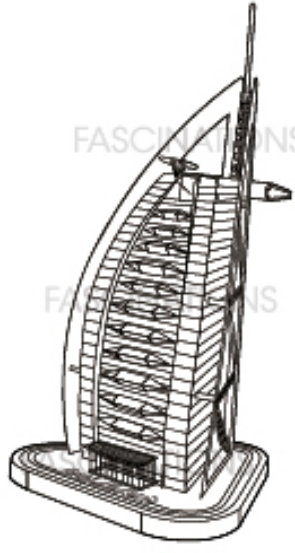
It is highly recommended that you visit [www.fascinations.com/iconx360/icx012](http://www.fascinations.com/iconx360/icx012) to see the completed model before assembling your own

**ICONX**  
3D METAL MODEL KITS

FASCINATIONS, INC.  
Seattle, Washington, USA

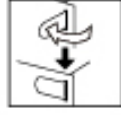
Go to [www.fascinations.com/iconx360/icx012](http://www.fascinations.com/iconx360/icx012) to see the zoomable PDF version of this instruction sheet

ICX012

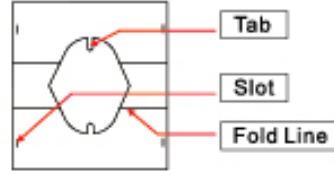
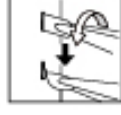


## TO CREATE THE BEST CONNECTIONS

● Insert tab into slot and bend 90 degrees

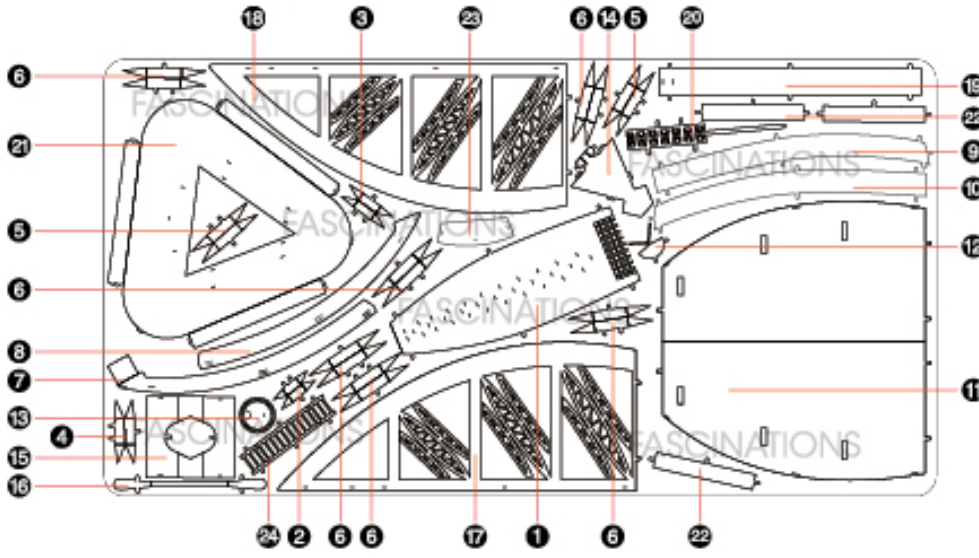


▲ Insert tab into slot and twist 90 degrees



Needs nose pliers for better assembly

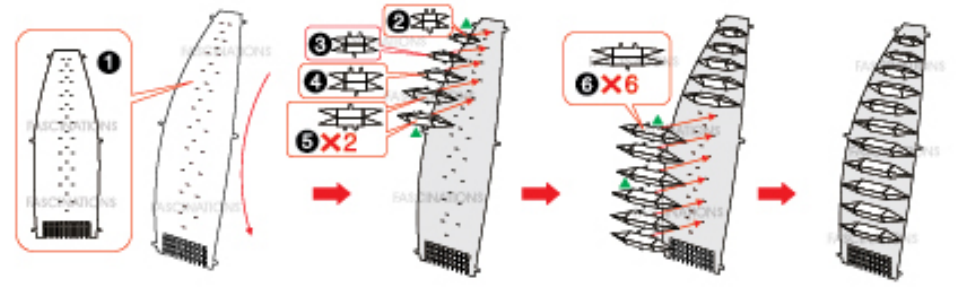
## METAL SHEET



**⚠** In order to avoid possible injury from sharp edges, please carefully discard the metal sheet after parts have been removed.

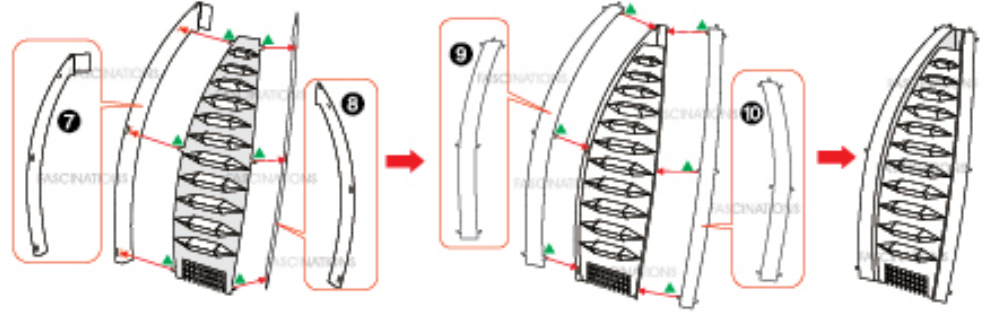
## ASSEMBLY STEPS

### Step 1

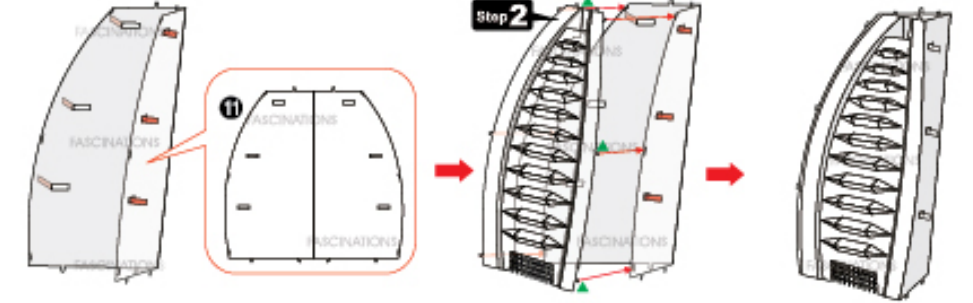


Tip: do not pull and twist the tabs too hard in this step

### Step 2



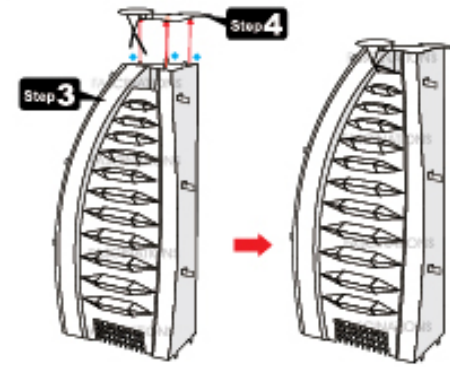
### Step 3



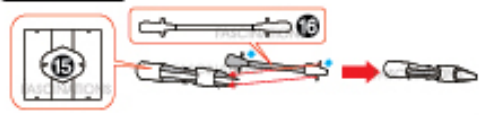
### Step 4



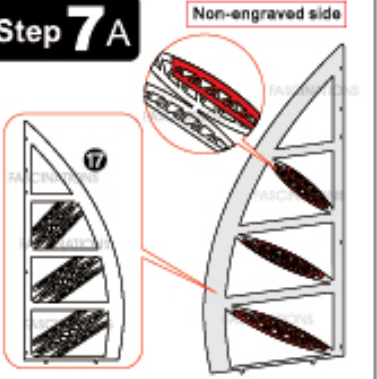
### Step 5



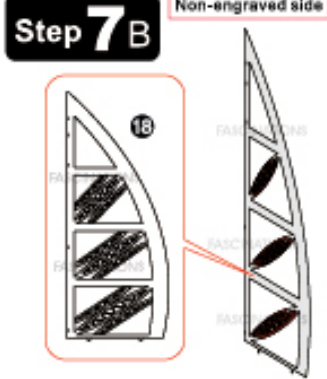
### Step 6



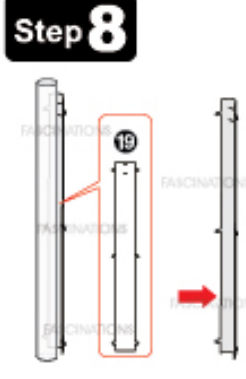
### Step 7A



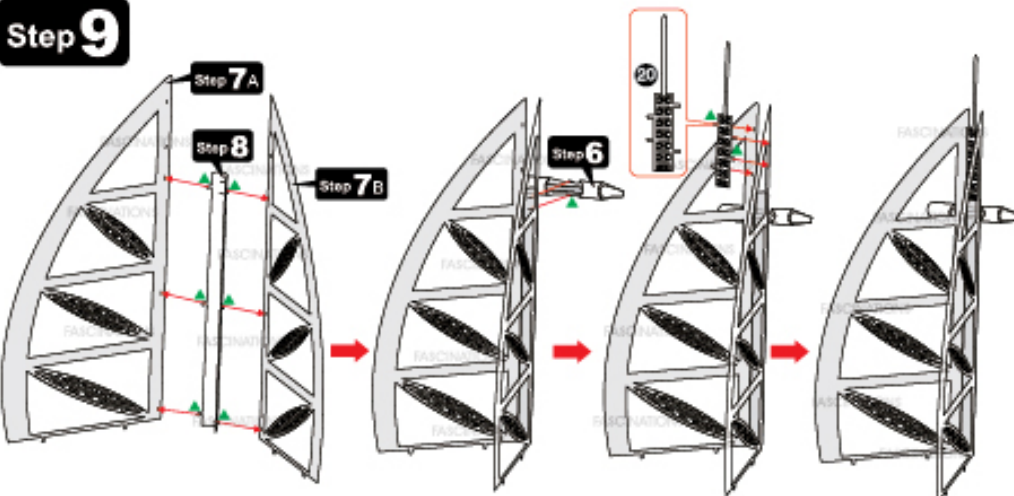
### Step 7B



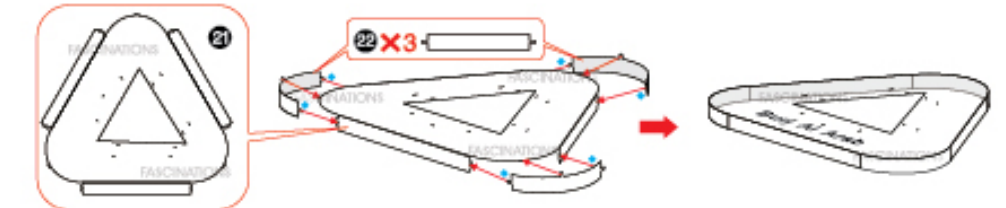
### Step 8



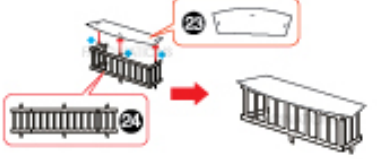
### Step 9



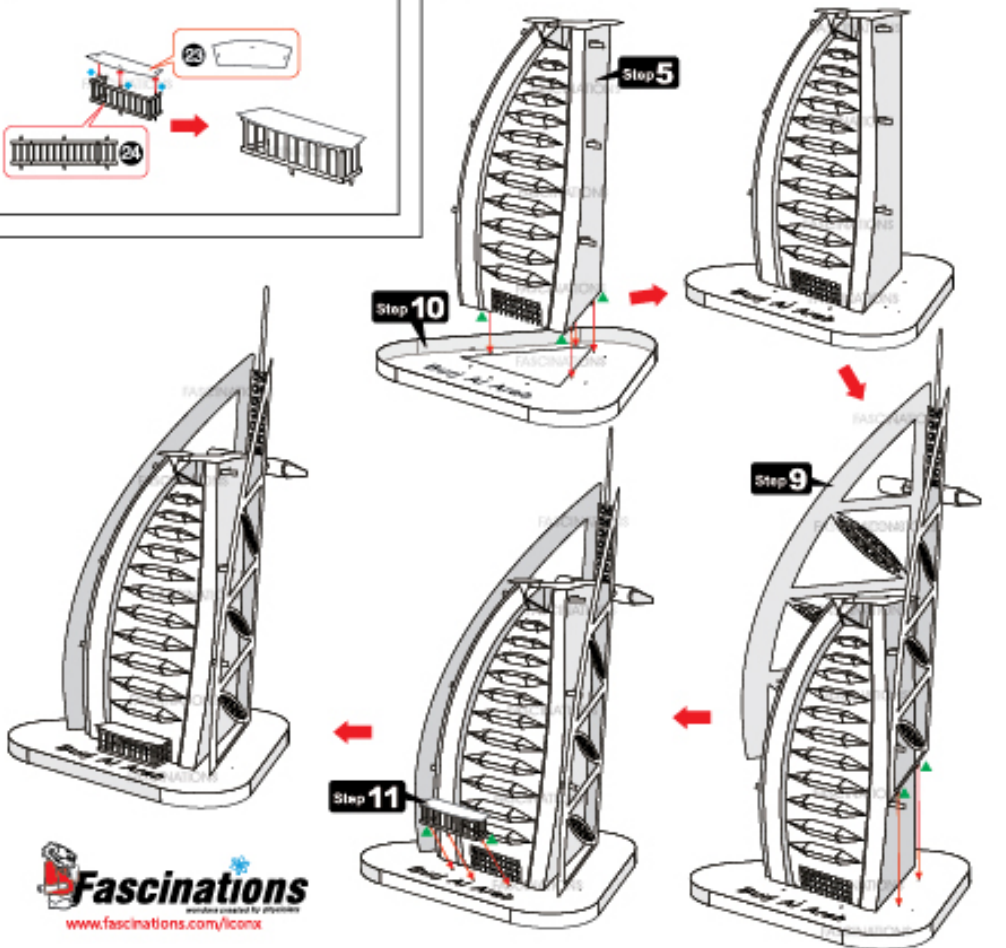
### Step 10



### Step 11



### Step 12



**Fascinations**  
[www.fascinations.com/iconx](http://www.fascinations.com/iconx)