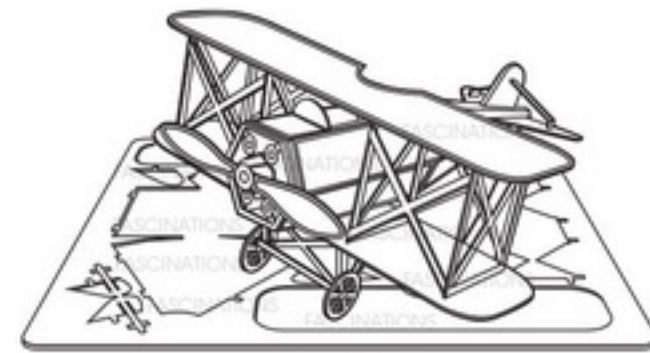


METAL EARTH™

3D LASER CUT MODELS



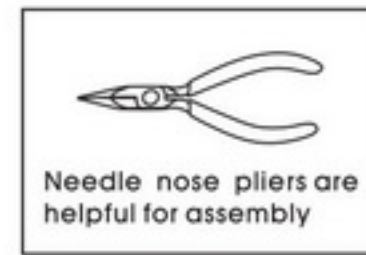
It is highly recommended that you visit www.fascinations.com/metalearth360/mms005 to see the completed model before assembling your own



mms005



Insertion holes Fold lines can be seen as shown here Insertion tabs are inserted and then folded



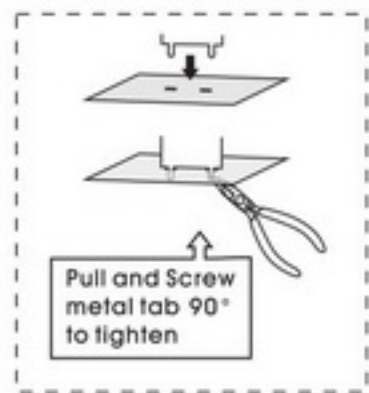
Needle nose pliers are helpful for assembly

Metal sheet

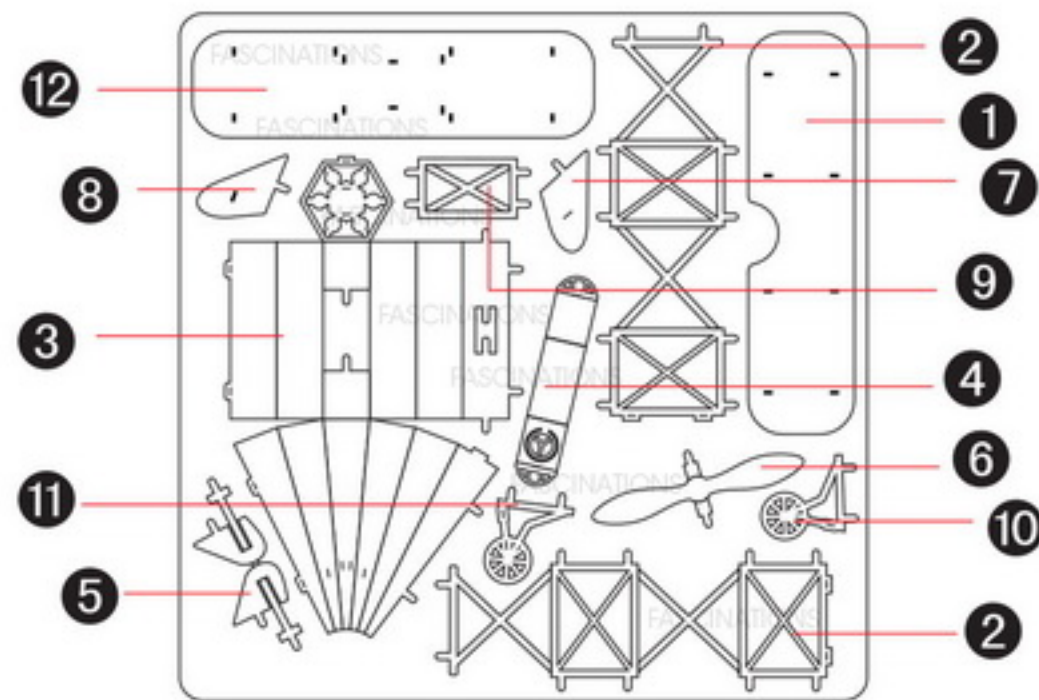
To create the best connections

Insert tab and bend 90 degrees for most visible areas

Insert tab and twist 90 degrees is best in some areas to ensure a tight connection

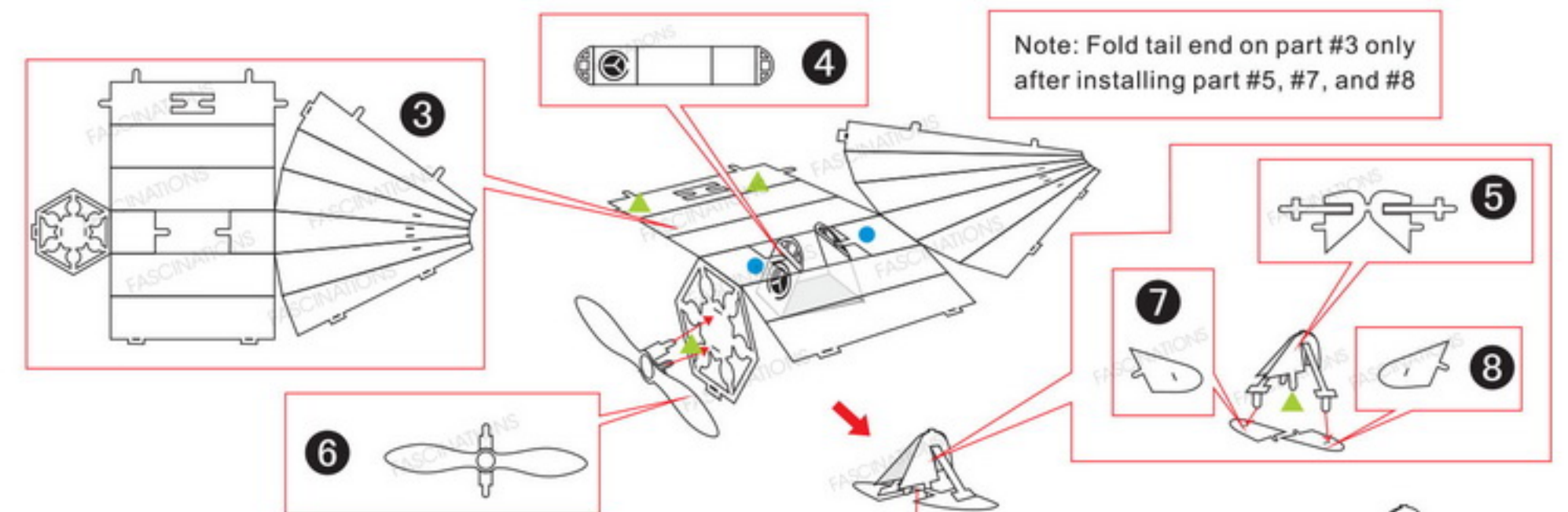
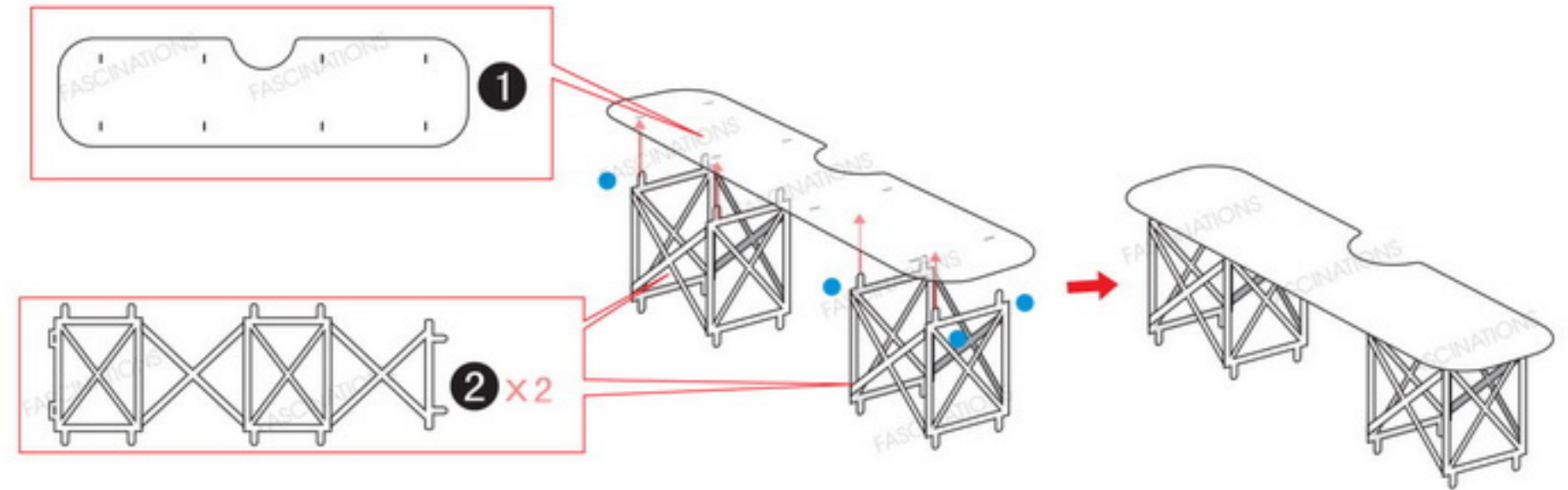


Pull and Screw metal tab 90° to tighten



In order to avoid possible injury from sharp edges, please carefully discard the metal sheet after parts have been removed

Assembly Flow Chart



Note: Fold tail end on part #3 only after installing part #5, #7, and #8

