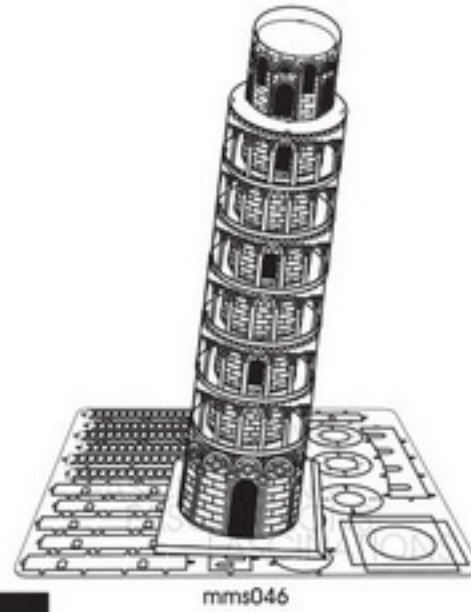


METAL EARTH™

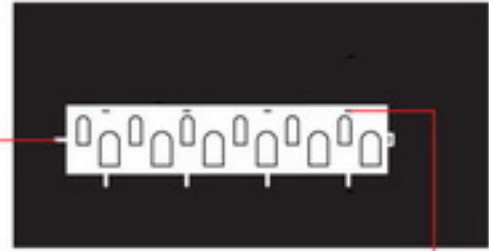
3D LASER CUT MODELS



It is highly recommended that you visit www.fascinations.com/metalearth360/mms046 to see the completed model before assembling your own

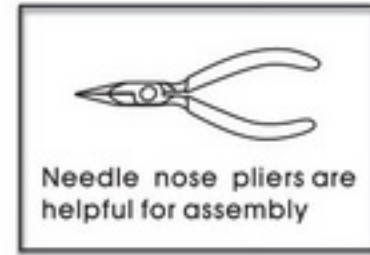


mms046



Insertion tabs are inserted and then folded

Insertion holes

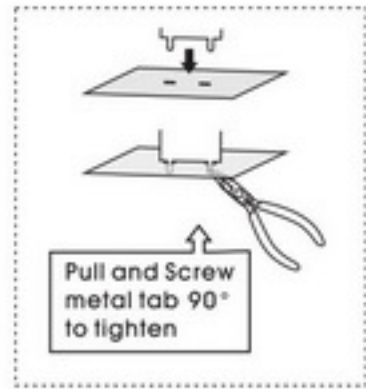


Needle nose pliers are helpful for assembly

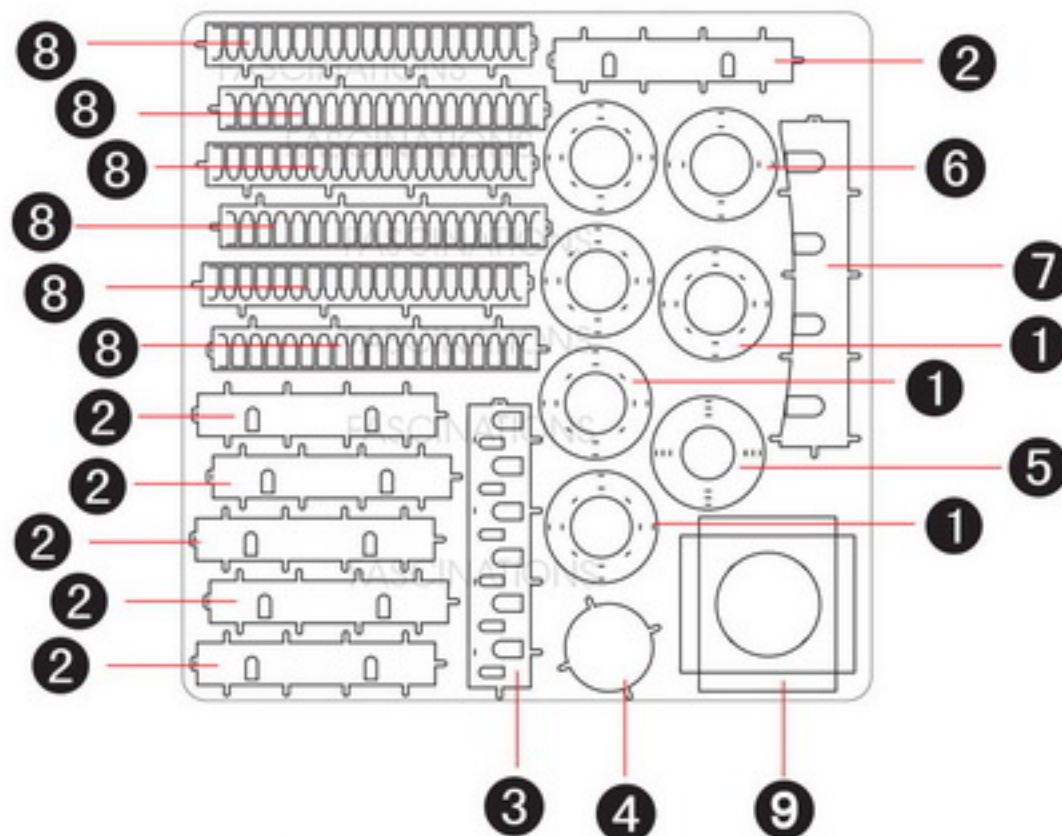
Metal sheet

To create the best connections

- Insert tab and bend 90 degrees for most visible areas
- Insert tab and twist 90 degrees is best in some areas to ensure a tight connection



Pull and Screw metal tab 90° to tighten



In order to avoid possible injury from sharp edges, please carefully discard the metal sheet after parts have been removed

Assembly Flow Chart

