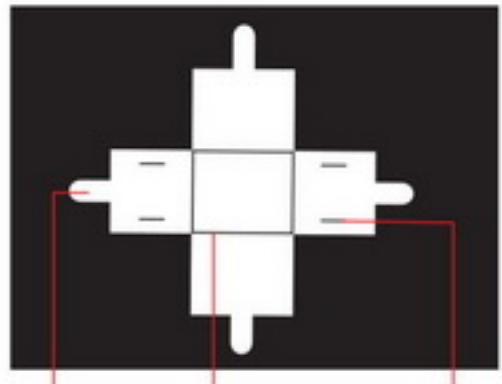
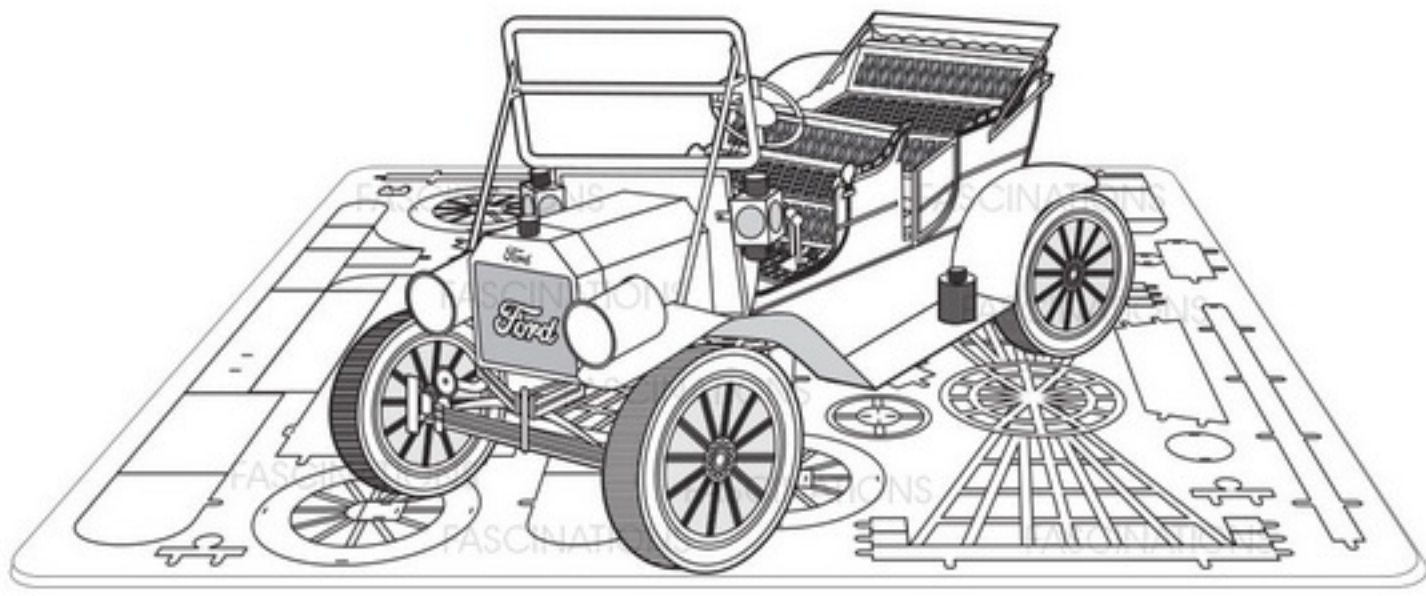


METALWORKS™

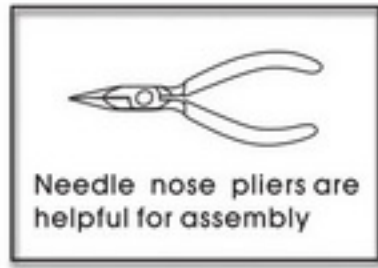
3D LASER CUT MODELS



Insertion tabs are inserted and then folded

Fold lines can be seen as shown here

Insertion holes

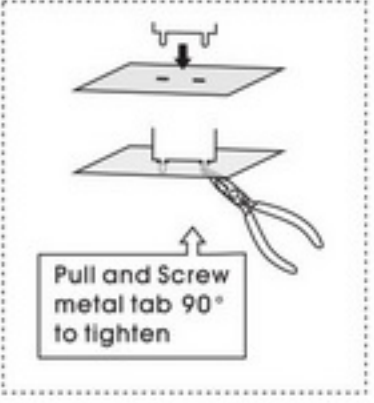


Needle nose pliers are helpful for assembly

To create the best connections

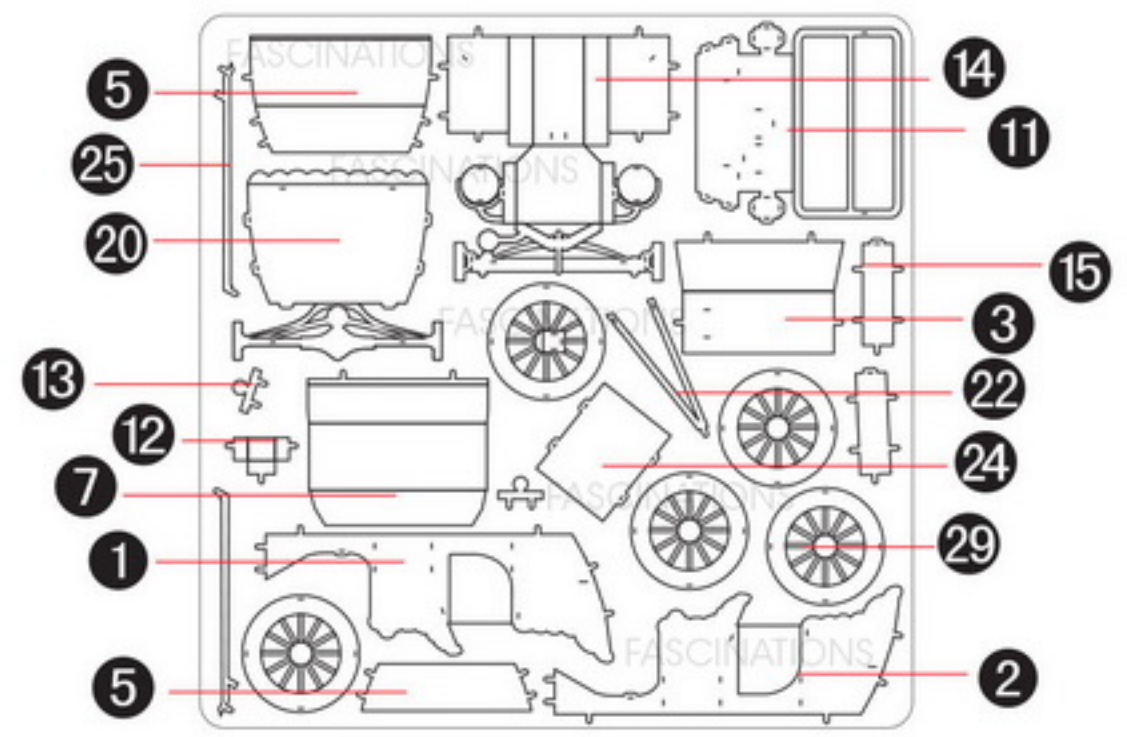
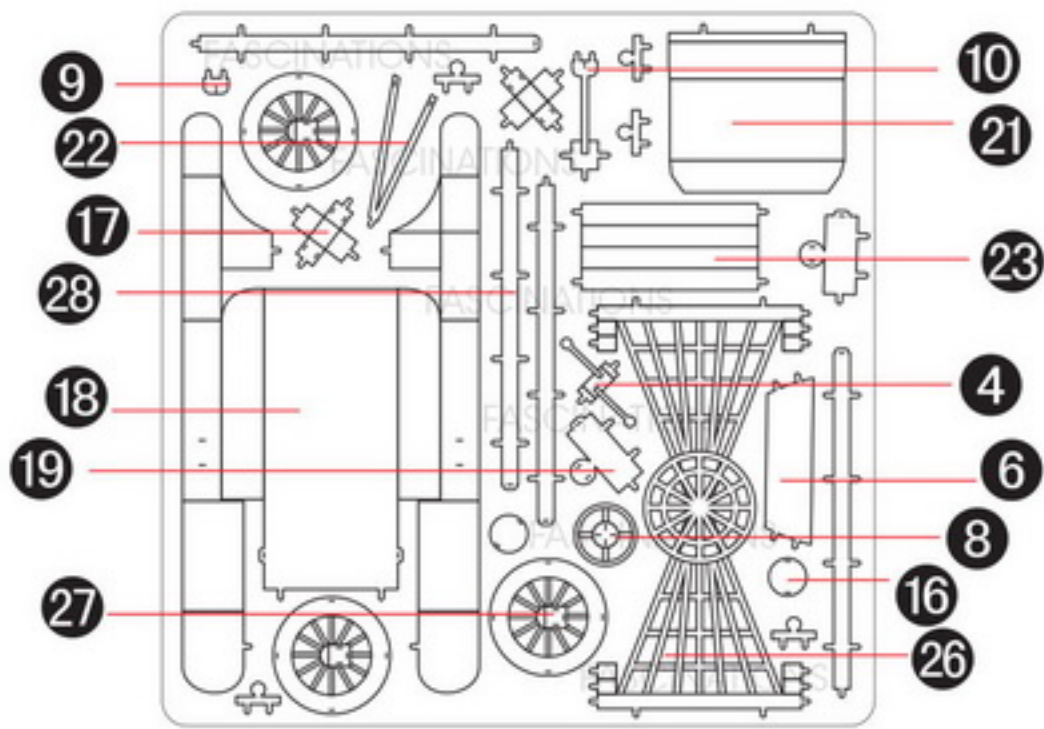
Insert tab and bend 90 degrees for most visible areas

Insert tab and twist 90 degrees is best in some areas to ensure a tight connection



Pull and Screw metal tab 90° to tighten

Metal sheet



Assembly Flow Chart

